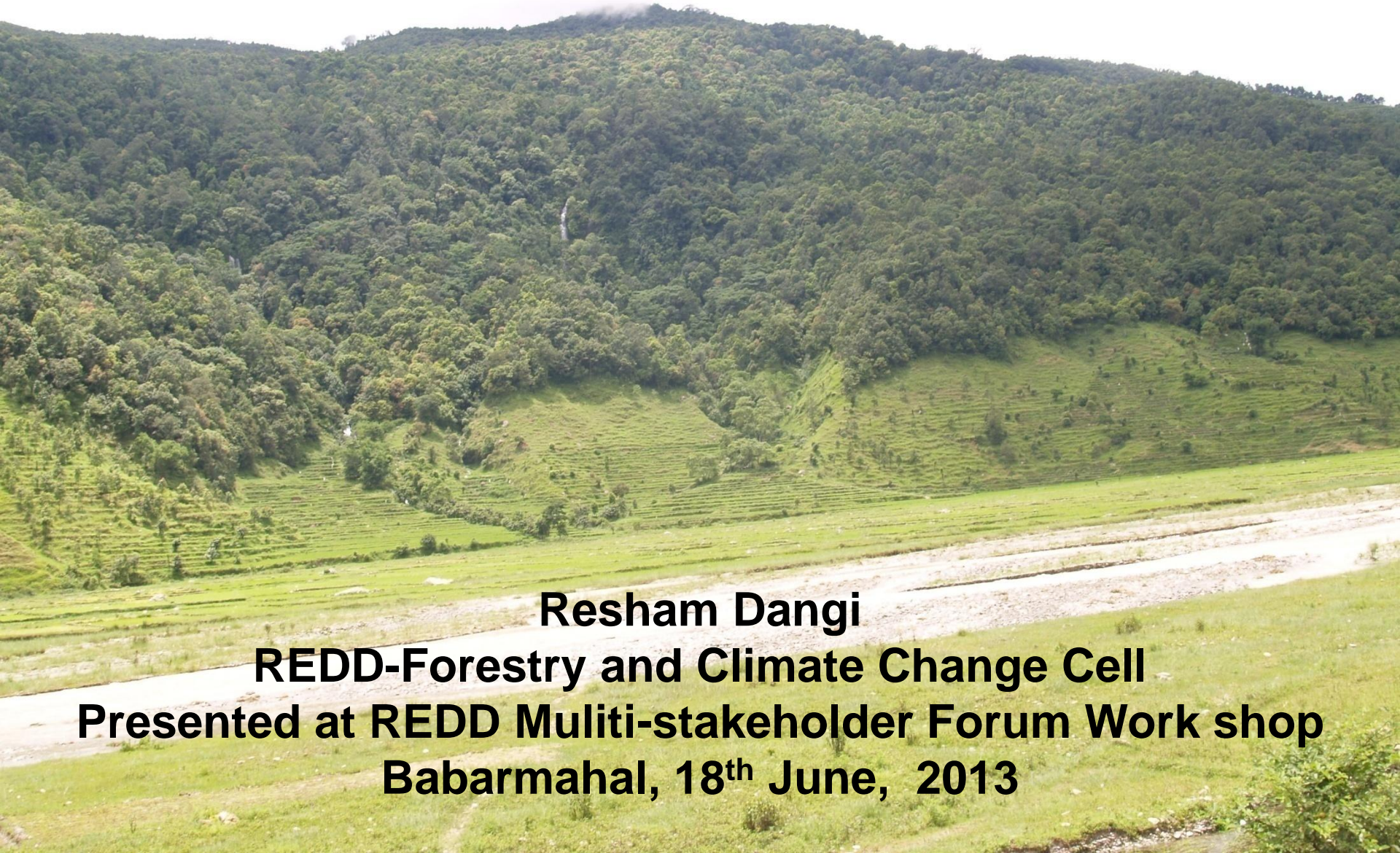


Progress update on REDD+ Readiness

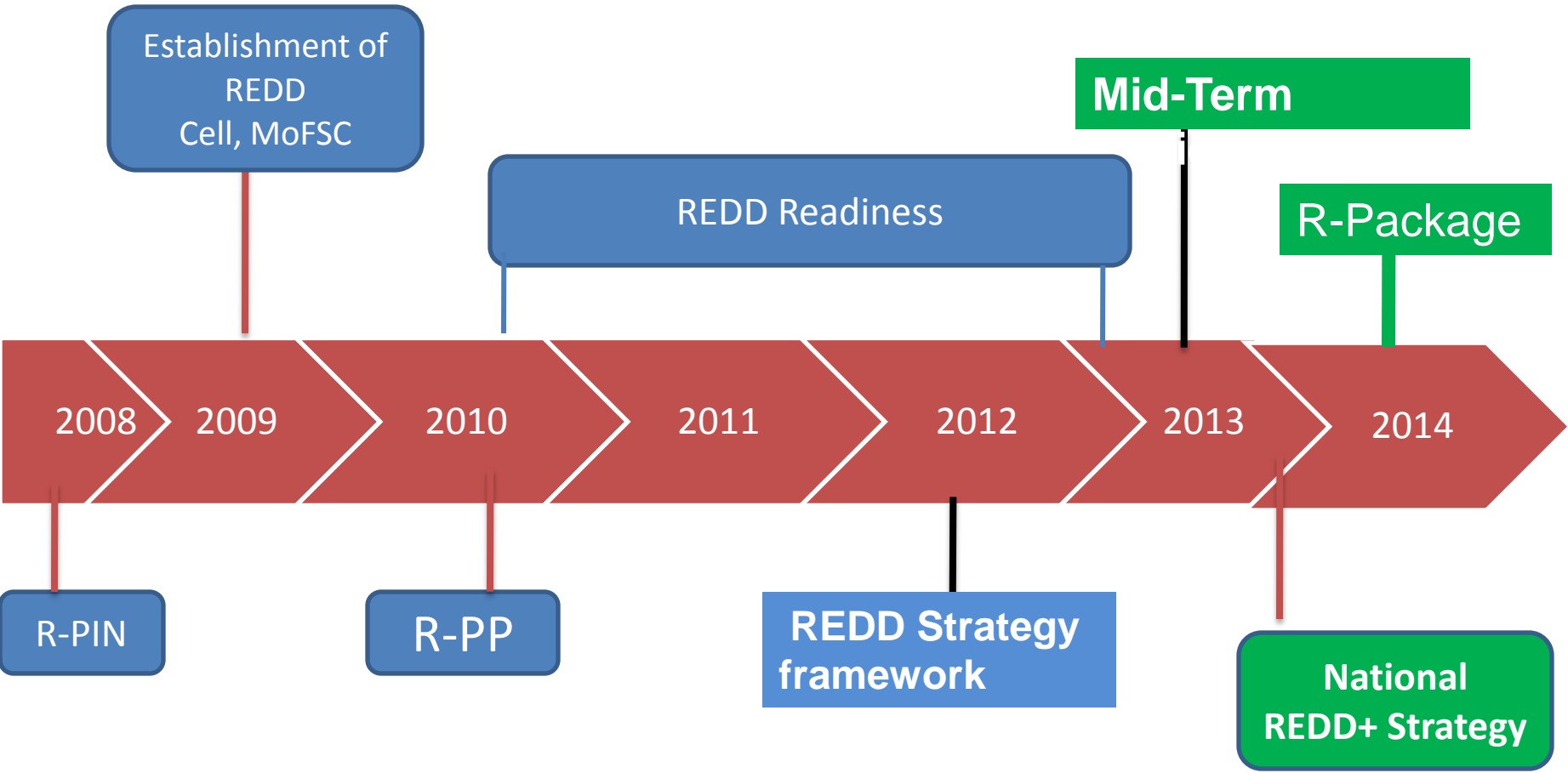


Resham Dangi

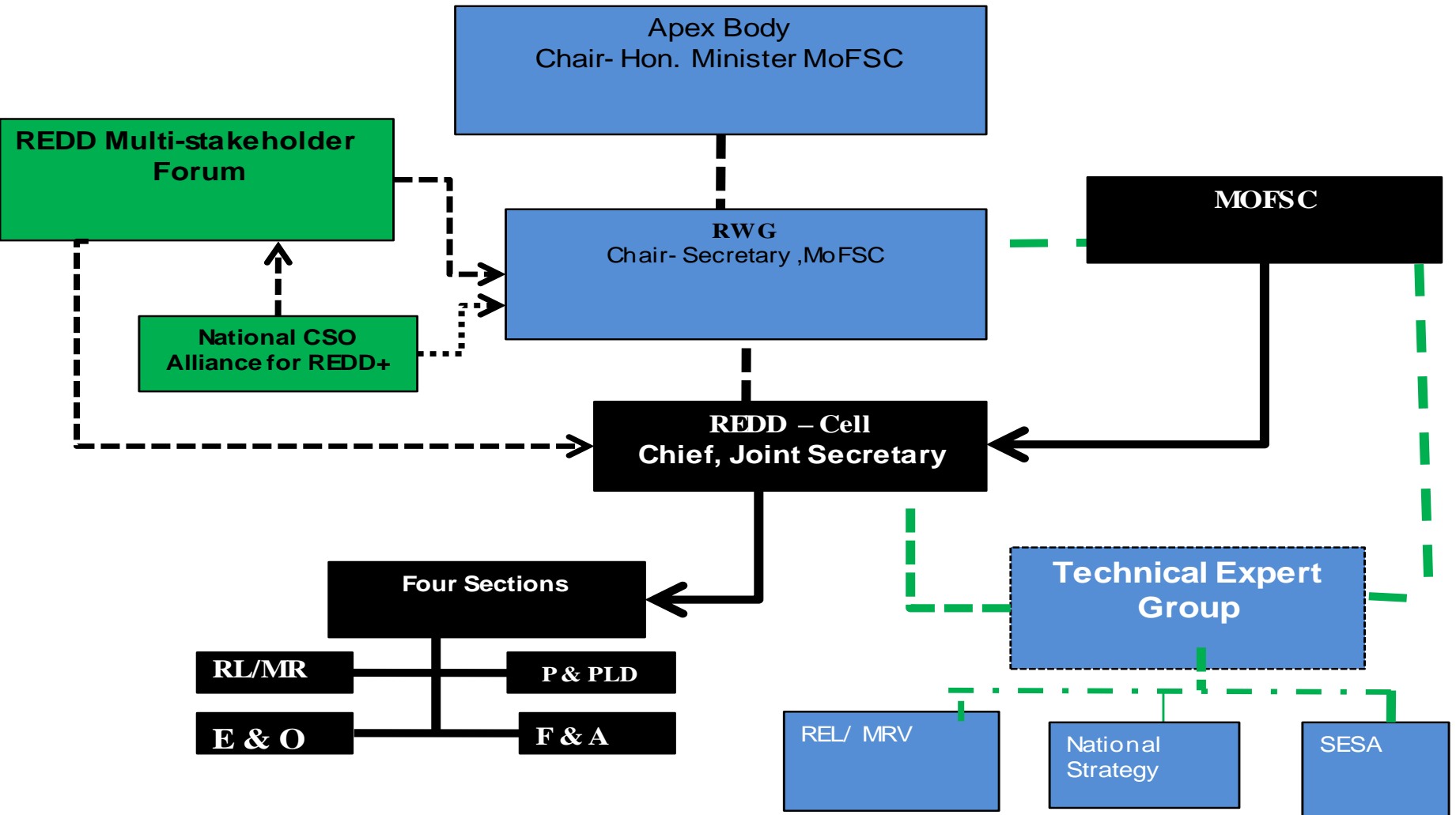
REDD-Forestry and Climate Change Cell

**Presented at REDD Multi-stakeholder Forum Work shop
Babarmahal, 18th June, 2013**

National Roadmap for REDD+ readiness

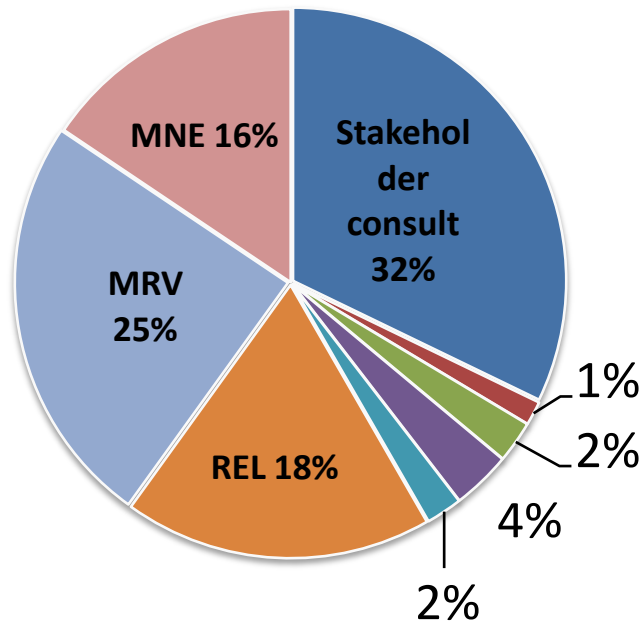


Institutional set-up for REDD+

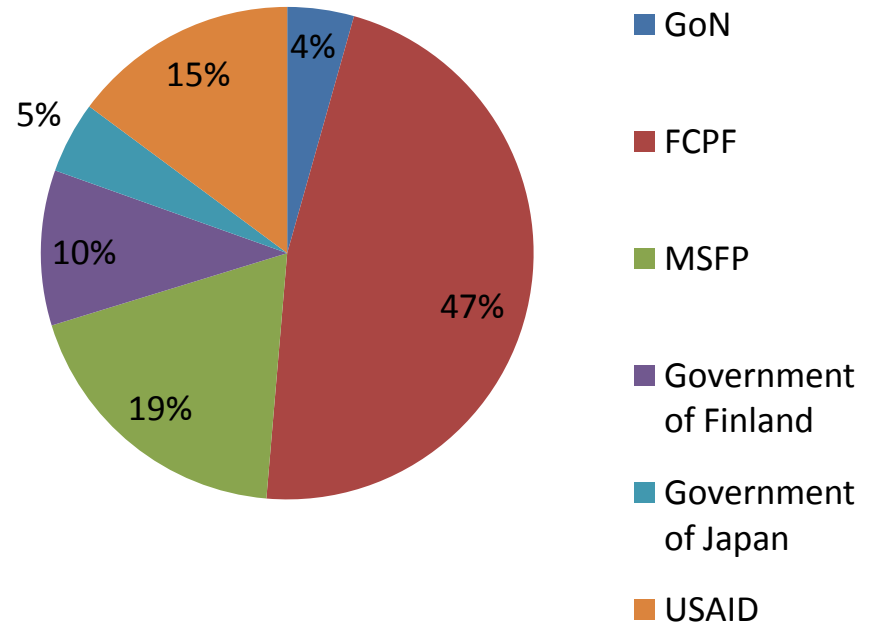


Some highlights of budget allocation

REDD Readiness projected Costs



Contributions from donor partners



Core elements of REDD readiness

Organization and consultation

National REDD Strategy

Reference Emission Level (REL/RL)

Monitoring, Reporting and Verification (MRV) system

Safeguards system

Progress to date

- Inter-ministerial Apex Body involving private, public and civil society organizations
- Multi-sectoral RWG is functional;
- REDD Cell as national focal point for REDD readiness in Nepal;
- REDD Multi-stakeholder's Forum and REDD CSO alliance has been established
- Weak progress in outreach and capacity building at local level;
- Few regional level capacity building by FCPF and GoN funding;

Core elements of REDD readiness

Organization and Consultation

National REDD+ Strategy

Reference Emission Level (REL/RL)

Monitoring, Reporting and Verification (MRV) system

Safeguards system

Progress to date

- A draft National REDD+ Strategy Framework has been developed
- Expert's Technical Committee formed representing government, Civil Society, and research institutions ;
- Analytical study reports useful for national REDD strategy preparation are in progress from FCPF/GoN/IIED and UN-REDD
- Procurement for National REDD Strategy preparation is in progress;

Core Elements of REDD Readiness

Organization and consultation

National REDD Strategy

Reference Emission Level (REL/RL)

Monitoring, Reporting and Verification (MRV) system

Safeguards system

Progress to date

- Nested approach to implement REDD;
- Good learning from REDD piloting to demonstrate benefit sharing mechanism;
- Jurisdiction based sub-national REDD demonstration activities at landscape level;
- hybrid model in national REDD finance architecture

Core elements of REDD readiness

Organization and Consultation

National REDD Strategy

Reference Emission Level (REL/RL)

Monitoring, Reporting and Verification (MRV) system

Safeguards system

Progress to date

- Agreement signed with CAMCO, Kenya;
- Inception report received and Experts arrived
- Technical Committee formed representing both GO and NGO representatives;
- Formulation of sub- national RL for TAL in progress;

Core elements of REDD readiness

Organization and Consultation

National REDD Strategy

Reference Emission Level (REL/RL)

Monitoring, Reporting and Verification (MRV) system

Safeguards system

Progress to date

- Agreement signed with Agri-consulting firm, Italy and inception report has been received
- Technical committee has been formed under the leadership of DFRS,
- REDD Piloting in community Forests has demonstrated effectiveness and efficiency of Forest carbon monitoring at local level;

Core Elements of REDD readiness

National REDD+ Strategy

REDD+ Implementation Framework

Reference Emission Level (REL/RL)

Monitoring, Reporting and Verification (MRV) system

Safeguards system

Progress to date

- SESA contract negotiation in progress;
- Stock taking of IIE/EIA compliance in forestry projects. A synthesis report is in place ;
- REDD+SES is also in progress

Thank You